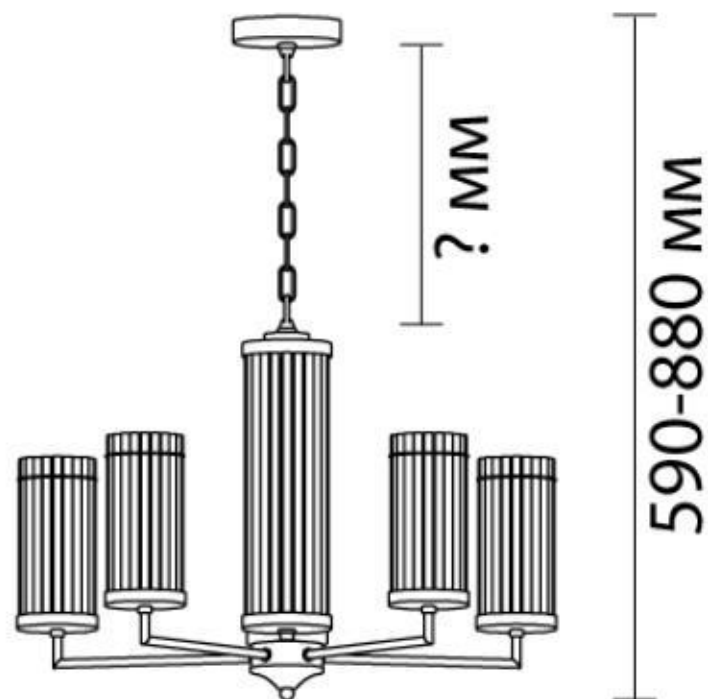


B2



B1

