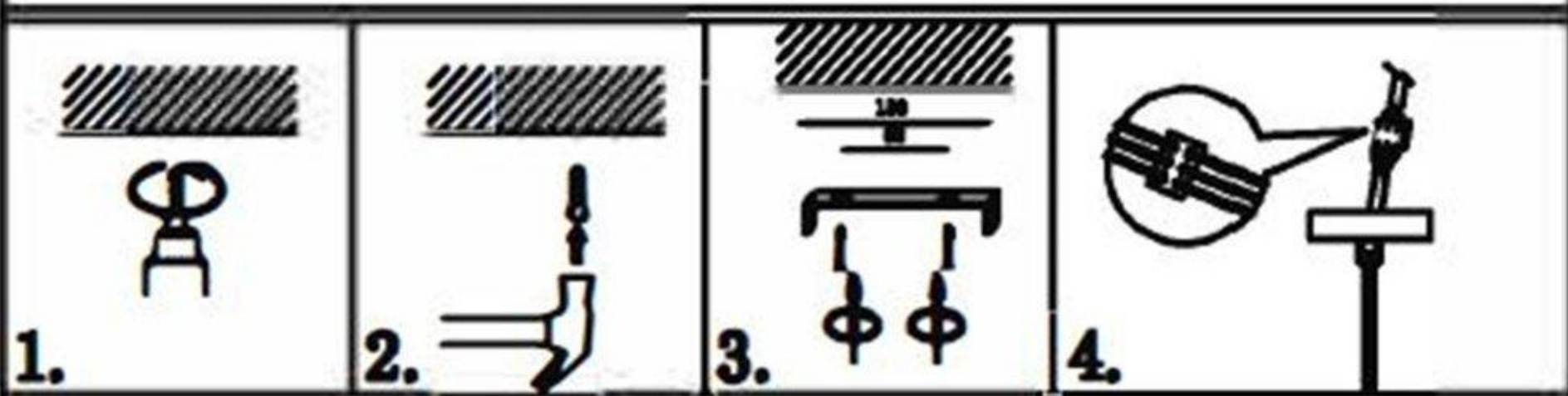


# Installing Instructions



**Model : SL1145. 343. 01**

