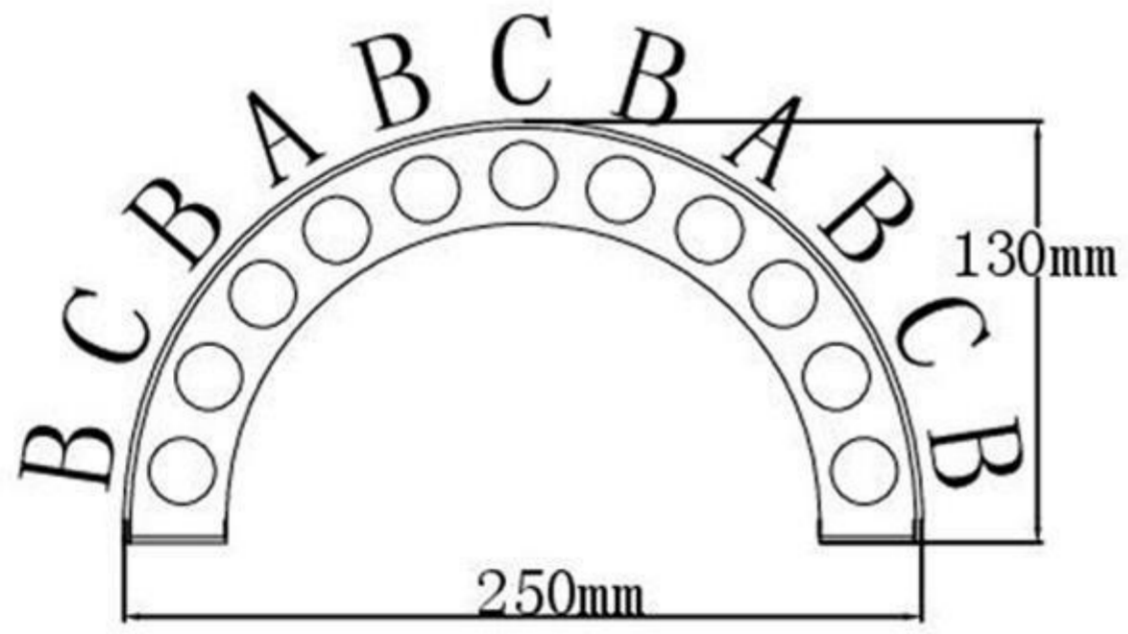
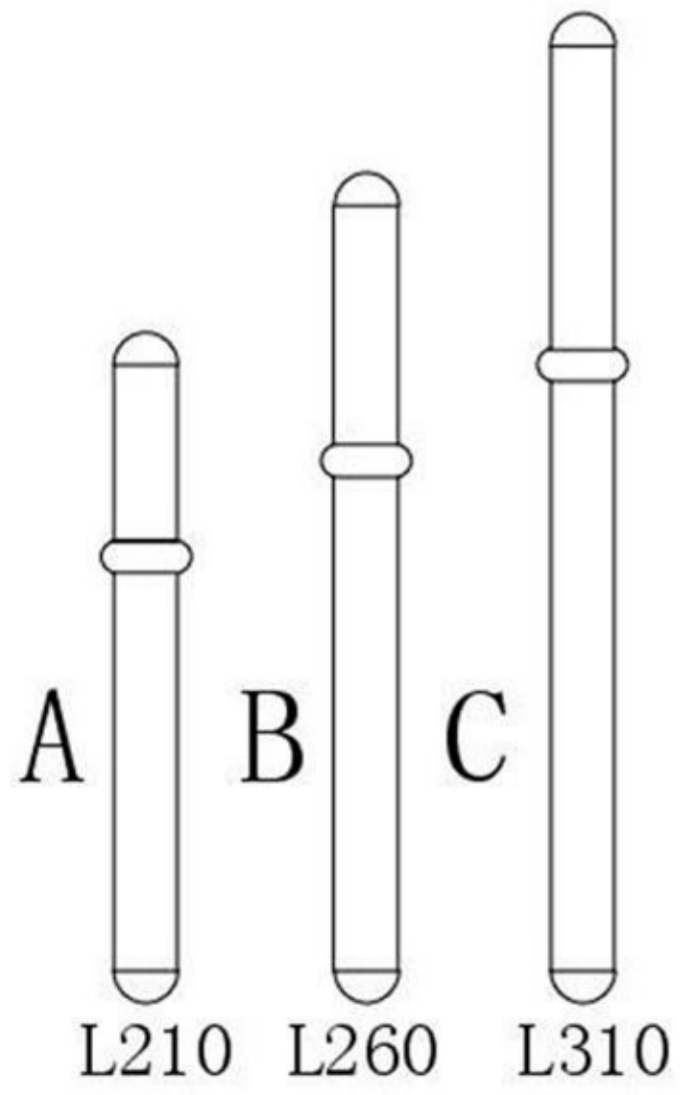
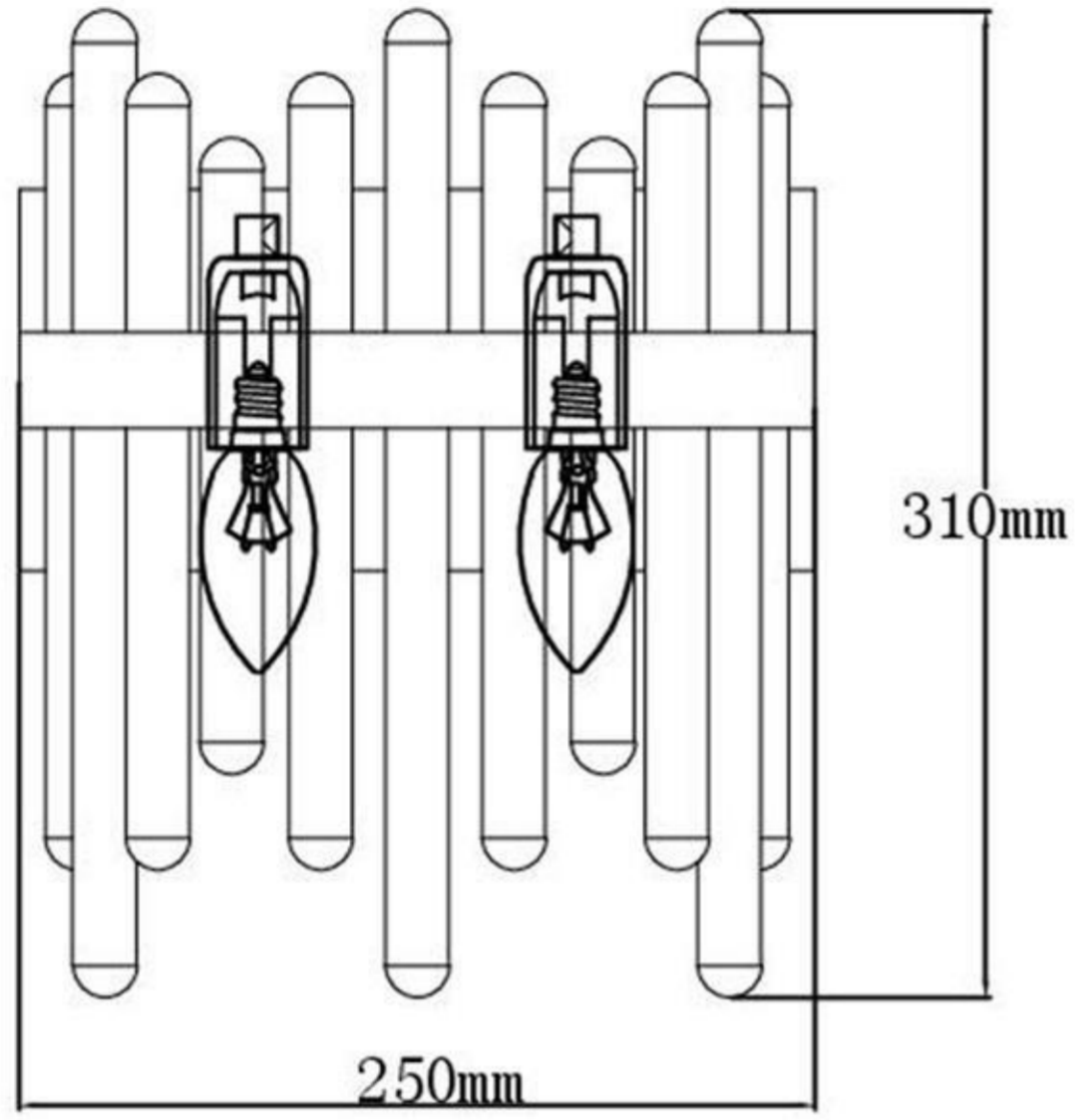




ST LUCE

SL1167. 301. 02

W250*E160*H310mm



	A	B	C
PCS	2	6	3

