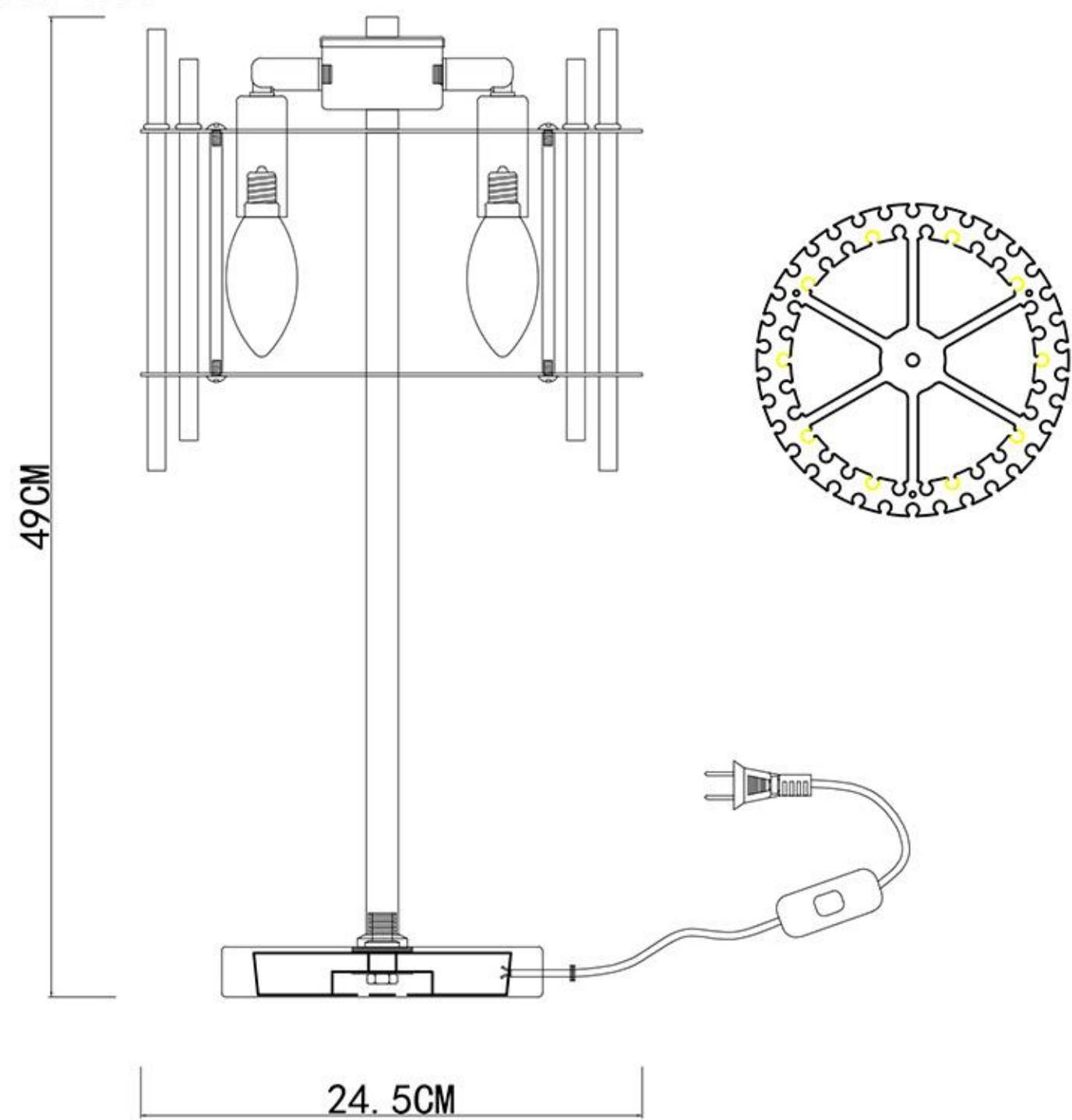


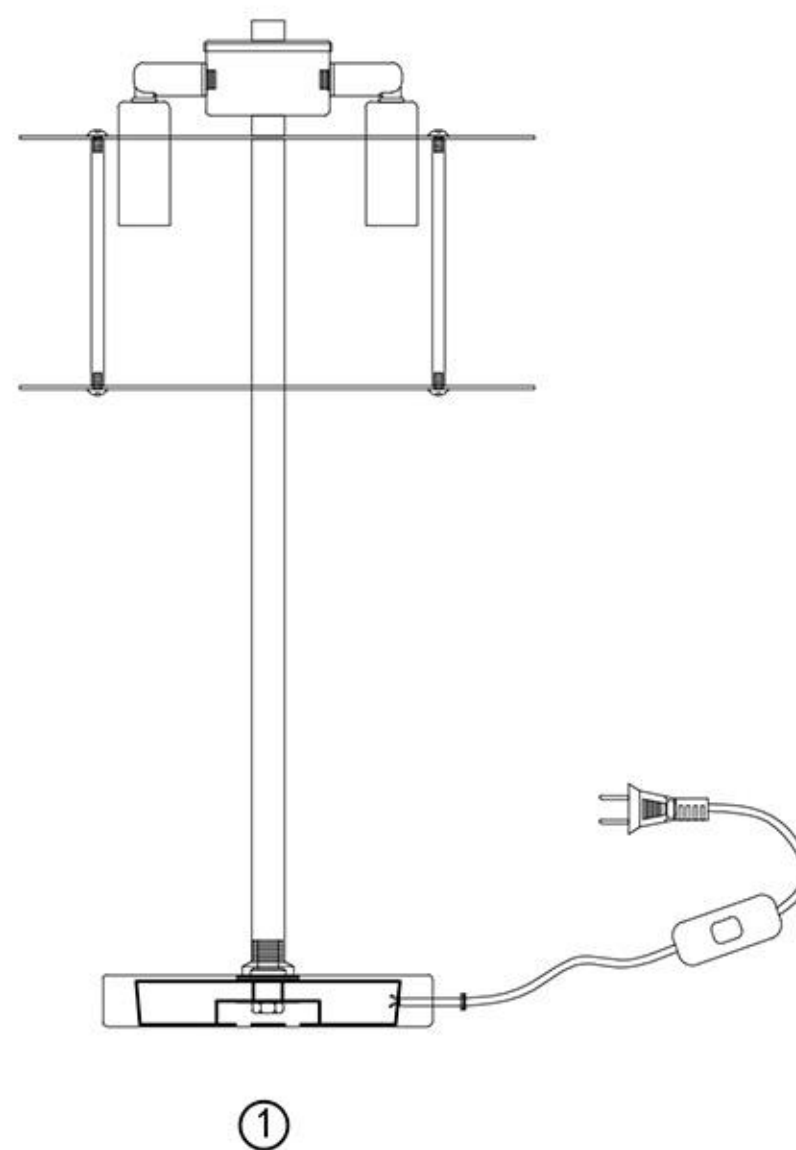
SL1656. 104. 03



ST LUCE



Packing list:



PVC: $\varnothing 50 \times 240 \text{mm}$ 6pcs