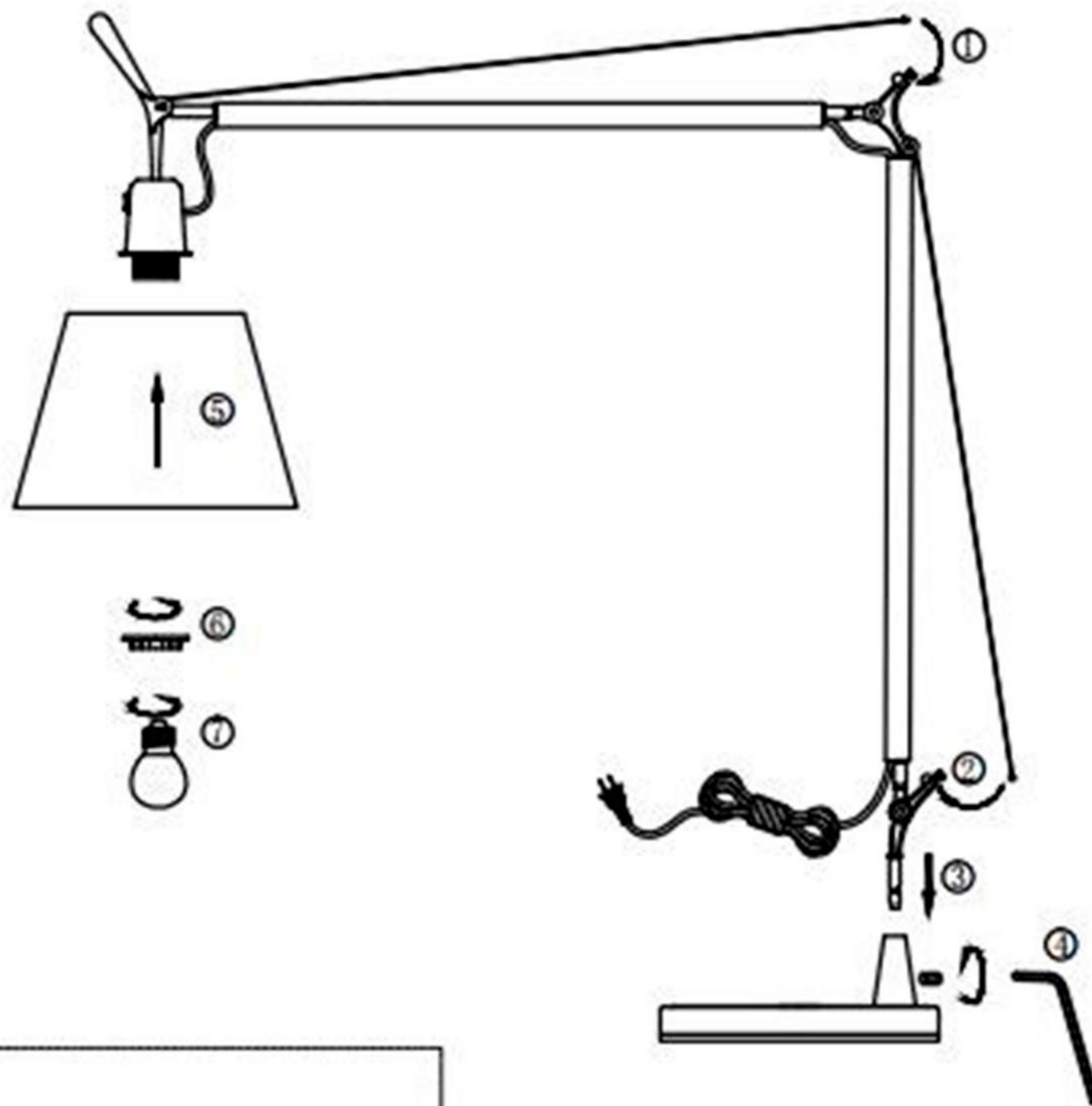


ST LUCE

Assembly Instruction

SL464. 104. 01



1. Rated Voltage: AC220-240V;
Frequency: 50/60Hz;
2. Loading Power: E27 MAX 40W.