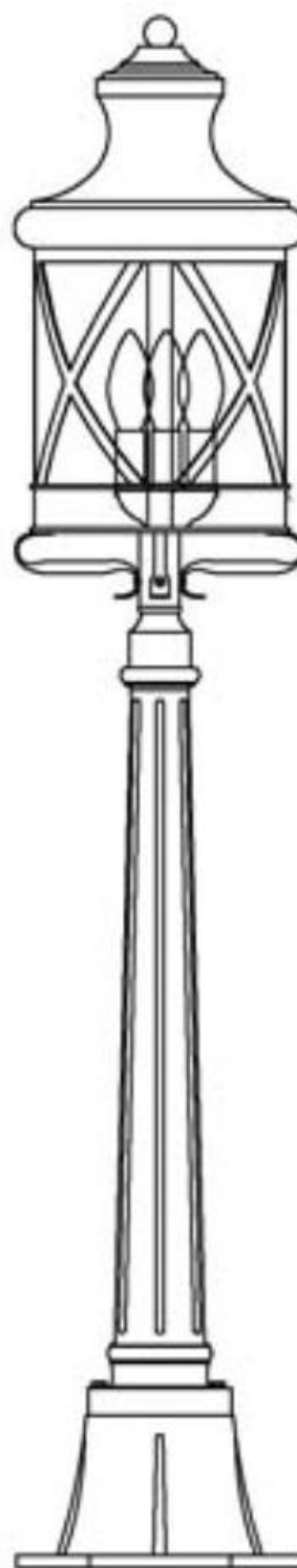




228 MM

$\text{Ø}233$ MM



1244 MM

$\text{Ø}230$ MM