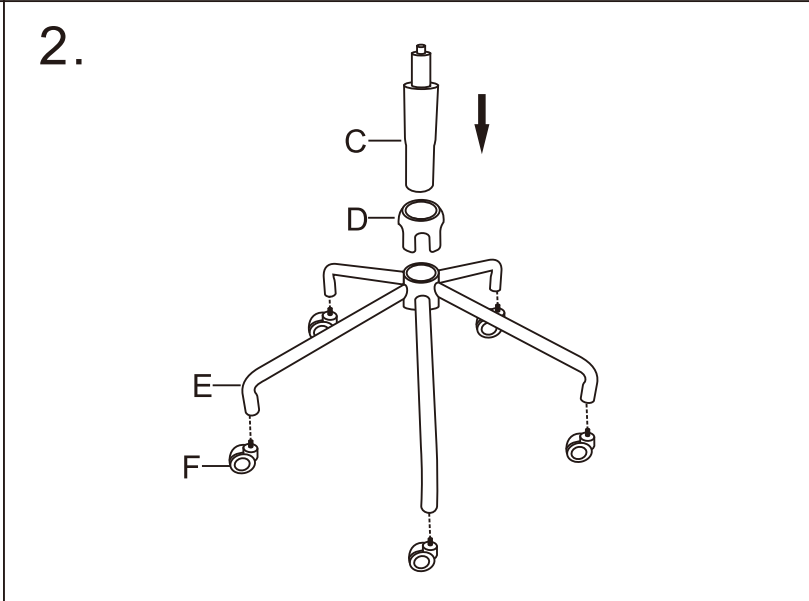
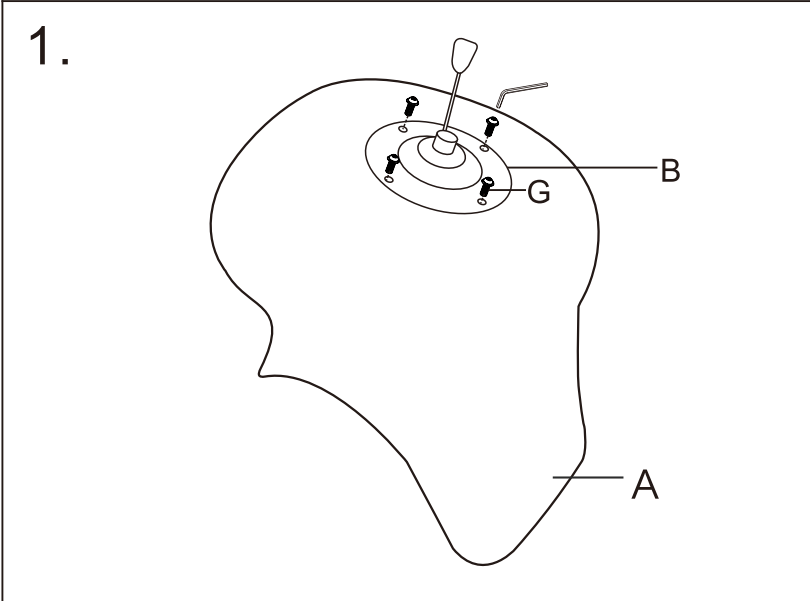


# ASSEMBLY INSTRUCTIONS



A		1
B		1
C		1
D		1
E		1
F		5
G	 M6*14mm	4
H		1